



# Parts Manual

Mfg. No: 020414-0  
2,700 PSI Troy Bilt



---

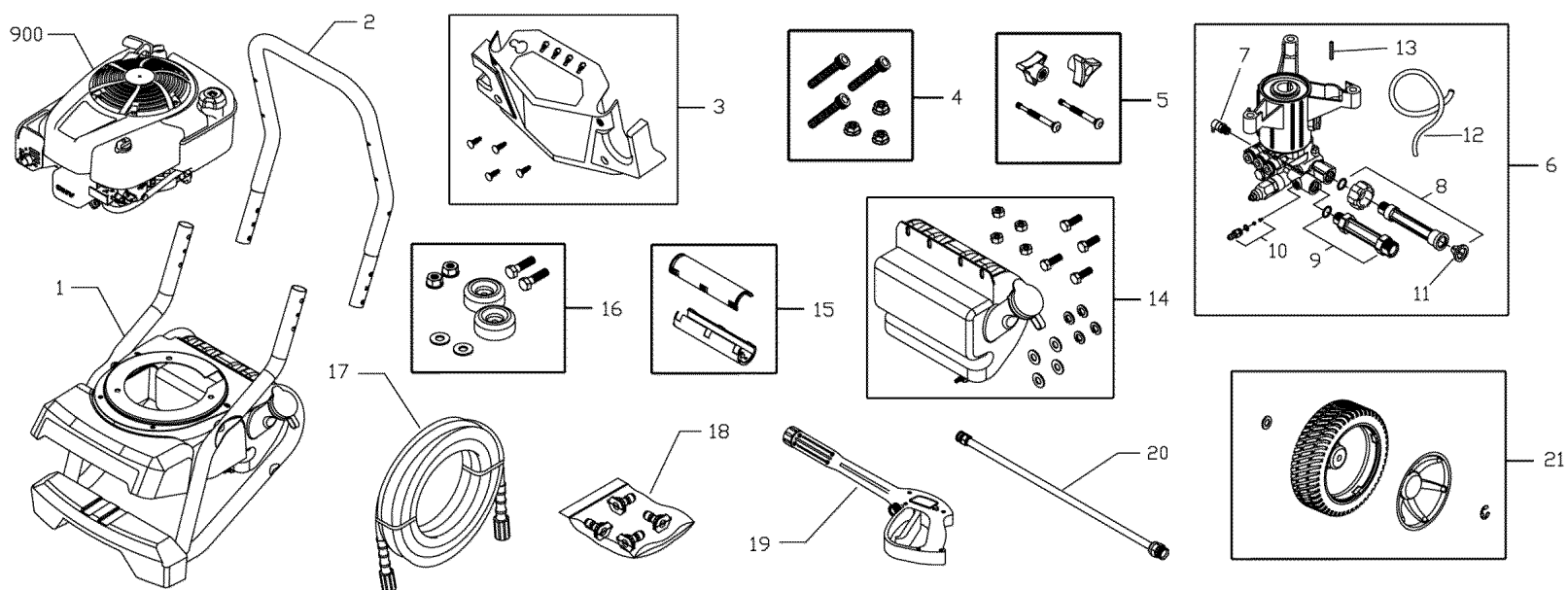
<b>Model Components</b>	<b>Page</b>
Main Unit (311267).....	4
Pump (311039).....	6
Torque Specification Chart.....	8

Not For  
Reproduction

# Main Unit (311267)

Note: Unless noted otherwise, use the standard torque specifications

Mfg. No: 020414-0



Not For  
Reproduction

## Main Unit (311267)

REF NO	PART NO	QTY	DESCRIPTION
1	311970GS		BASE
2	310629BVGS		HANDLE
3	310790GS		BILLBOARD
--	195964GS		KIT-TREE CLIPS
4	203526GS		KIT-HARDWARE PUMP MOUNTING
5	311896GS		KIT-HARDWARE HANDLE
6	311966GS		PUMP
7	208673GS		VALVE-THERMAL RELIEF
8	201496GS		KIT-WATER INLET
9	201497GS		FITTING
10	192914GS		KIT-CHEM INJ
11	B2384GS		FILTER-GARDEN HOSE
12	189971GS		HOSE-CHEMICAL
13	23139GS		KEY
14	310800GS		TANK-CHEMICAL
--	310804GS		CAP-CHEMICAL TANK
--	310333GS		KIT-FUEL VALVE
15	311969GS		GRIP
16	192310GS		MOUNT-VIBRATION
17	196006GS		HOSE
18	208041GS		KIT-QC NOZZLES
--	195983AKGS		NOZZLE-QC YELLOW
--	195983AMGS		NOZZLE-QC WHITE
--	195983AJGS		NOZZLE, QC RED
--	198841GS		NOZZLE-QC BLACK
19	204627GS		GUN
20	200595GS		EXTENSION-QC
21	202477GS		KIT-WHEEL
--	200519GS		HUBCAP
--	192050GS		E-RING
900	-----		* ENGINE
--	310795GS		MANUAL-OPERATOR'S -(Not Illustrated)
--	BB3061BGS		OIL BOTTLE -(Not Illustrated)
--	310788GS		DECAL-Unit -(Not Illustrated)
--	310789GS		DECAL-Shroud -(Not Illustrated)
--	203874GS		AXLE -(Not Illustrated)
--	194256GS		TAG-WARNING -(Not Illustrated)
--	6039		PUMP SAVER -(Optional Accessory)
--	6048		O-RING MAINTENANCE -(Optional Accessory)

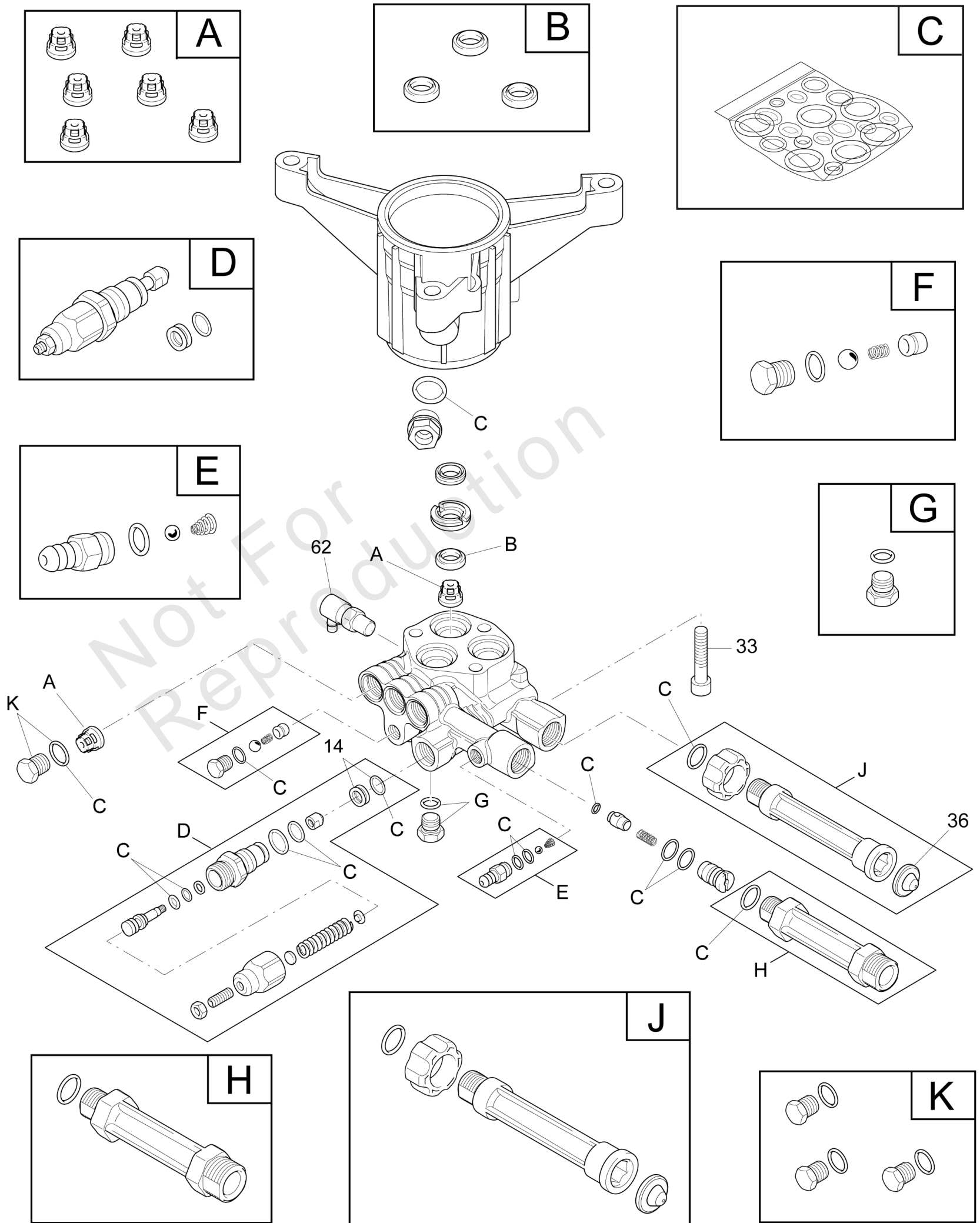
### Footnotes:

\* Contact engine manufacturer for parts & service.

# Pump (311039)

Note: Unless noted otherwise, use the standard torque specifications

Mfg. No: 020414-0



## Pump (311039)

REF NO	PART NO	QTY	DESCRIPTION
14	706608		SEAT
33	200275GS		SCREW
36	B2384GS		FILTER, Garden Hose
62	208673GS		VALVE, Thermo Relief -(Not Illustrated)
A	317897GS		* KIT, Check Valve
B	200345GS		* KIT, Water Seal
C	200346GS		* KIT, O-Ring
D	772235		KIT, UNLOADER
E	192914GS		* KIT, Chemical Injection
F	200349GS		* KIT, Easy Start
G	200350GS		* SCREW, Grub
H	201497GS		* FITTING
J	201496GS		* KIT, Water Inlet
K	317057GS		* KIT, Plug
--	6039		PUMP SAVER -(Optional Accessory - Not Included)
--	6059		PERFECT MIX MULTI-PURPOSE WASH -(Optional Accessory - Not Included)
--	6060		PERFECT MIX CONCRETE BRICK & TILE CLEANER -(Optional Accessory - Not Included)
--	6159		Project Pro® PerfectMix® Multi-Purpose And Vehicle Cleaner -(Optional Accessory - Not Included)
--	6033		OIL BOTTLE -(Optional Accessory - Not Included)

---

**Footnotes:**

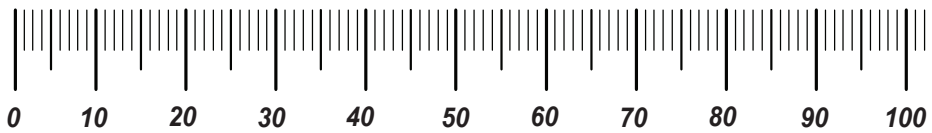
\* Service Kit includes all parts shown in box.

# Hardware Identification & Torque Specifications

Torque Specification Chart								
FOR STANDARD METRIC MACHINE HARDWARE (Tolerance ± 20%)								
Property Class	5.6		8.8		10.9		12.9	
	Class 5.6		Class 8.8		Class 10.9		Class 12.9	
Size Of Hardware	in/lbs	Nm.	in/lbs	Nm.	in/lbs	Nm.	in/lbs	Nm.
	ft/lbs		ft/lbs		ft/lbs		ft/lbs	
M3	5.88	.56	13.44	1.28	19.2	1.80	22.92	2.15
M4	13.44	1.28	30.72	2.90	43.44	4.10	52.56	4.95
M5	26.4	2.50	60.96	5.75	5.97	8.10	7.15	9.7
M6	44.64	4.3	7.3	9.9	10.3	14	12.1	16.5
M7	5.2	7.1	12.1	16.5	16.9	23	19.9	27
M8	7.7	10.5	17.7	24	25	34	29	40
M10	15	21	35	48	50	67	59	81
M12	26	36	61	83	86.2	117	103	140
M14	42	58	101	132	136	185	162	220
M16	64	88	147	200	210	285	250	340
M18	89	121	202	275	287	390	346	470
M20	126	171	290	390	405	550	486	660
M22	169	230	390	530	559	745	656	890
M24	217	295	497	375	708	960	840	1140
M27	320	435	733	995	1032	1400	1239	1680
M30	435	590	995	1350	1401	1900	1681	2280
M33	590	800	1349	1830	1902	2580	2278	3090
M36	759	1030	1740	2360	2441	3310	2935	3980
M39	988	1340	2249	3050	3163	4290	3798	5150

Torque Specification Chart						
FOR STANDARD MACHINE HARDWARE (Tolerance ± 20%)						
Hardware Grade	No Marks		SAE Grade 5		SAE Grade 8	
	SAE Grade 2		SAE Grade 5		SAE Grade 8	
Size Of Hardware	in/lbs	Nm.	in/lbs	Nm.	in/lbs	Nm.
	ft/lbs		ft/lbs		ft/lbs	
8-32	19	2.1	30	3.4	41	4.6
8-36	20	2.3	31	3.5	43	4.9
10-24	27	3.1	43	4.9	60	6.8
10-32	31	3.5	49	5.5	68	7.7
1/4-20	66	7.6	8	10.9	12	16.3
1/4-28	76	8.6	10	13.6	14	19.0
5/16-18	11	15.0	17	23.1	25	34.0
5/16-24	12	16.3	19	25.8	29	34.0
3/8-16	20	27.2	30	40.8	45	61.2
3/8-24	23	31.3	35	47.6	50	68.0
7/16-14	30	40.8	50	68.0	70	95.2
7/16-20	35	47.6	55	74.8	80	108.8
1/2-13	50	68.0	75	102.0	110	149.6
1/2-20	55	74.8	90	122.4	120	163.2
9/16-12	65	88.4	110	149.6	150	204.0
9/16-18	75	102.0	120	163.2	170	231.2
5/8-11	90	122.4	150	204.0	220	299.2
5/8-18	100	136	180	244.8	240	326.4
3/4-10	160	217.6	260	353.6	386	525.0
3/4-16	180	244.8	300	408.0	420	571.2
7/8-9	140	190.4	400	544.0	600	816.0
7/8-14	155	210.8	440	598.4	660	897.6
1-8	220	299.2	580	788.8	900	1,244.0
1-12	240	326.4	640	870.4	1,000	1,360.0

The guides and ruler furnished below are designed to help you select the appropriate hardware.



Nut, M8

Thread Diameter (mm)

Inside Diameter (in)      Threads per inch

Nut, 1/2-16



Screw, M8- 1.25 x 25

Thread Diameter (mm)      Distance between threads (mm)      Body Length (mm)

Body Diameter      Threads per inch      Body Length (in)

Screw, 1/2- 16 x 2



## Standard Hardware Sizing

When a washer or nut is identified as 1/2" (M8), this is the *Nominal size*, meaning the *inside diameter* is 1/2 inch (8mm metric thread diameter); if a second number is present it represents the *threads per inch* (distance between threads).

When bolt or capscrew is identified as 1/2 - 16 x 2" (M8 - 1.25 x 50), this means the *Nominal size*, or body diameter is 1/2 inch (8mm metric thread diameter), the second number, 16, represents the *threads per inch*, (*distance between threads*). The final number is the body length of the bolt or screw, 2 inches (50mm).

## NOTES

- These torque values are to be used for all hardware excluding: locknuts, self-tapping screws, thread forming screws, sheet metal screws and socket head setscrews.
- Recommended seating torque values for locknuts:
  - for prevailing torque locknuts - use 65% of grade 5 torques.
  - for flange whizlock nuts and screws - use 135% of grade 5 torques.
- Unless otherwise noted on assembly drawings, all torque values must meet this specification.

## Common Hardware Types

Hex Head Capscrew



Washer



Carriage Bolt



Hex Nut

## Wrench & Fastener Size Guide

1/4" Bolt or Nut Wrench—7/16"	5/16" Bolt or Nut Wrench—1/2"	3/8" Bolt or Nut Wrench—9/16"	7/16" Bolt or Nut Wrench (Bolt)—5/8" Wrench (Nut)—11/16"	1/2" Bolt or Nut Wrench—3/4"
M6 Bolt or Nut Wrench—10mm	M8 Bolt or Nut Wrench—13mm	M10 Bolt or Nut Wrench—17mm	M12 Bolt or Nut Wrench—19mm	M14 Bolt or Nut Wrench—22mm



